

## Unit Load Devices



With its head office in Hong Kong, Kerry Logistics is operating in over 180 cities in more than 25 countries with over 6,000 staff worldwide.

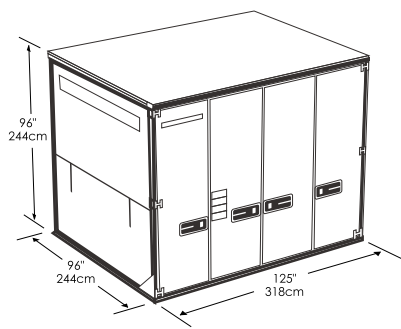
Our business portfolio encompasses contract logistics, international freight forwarding, warehousing, transportation, distribution, trading, merchandising and a wide variety of value-added services.

Kerry Logistics is a member of the Kuok Group which is one of the largest diversified conglomerates in Asia.

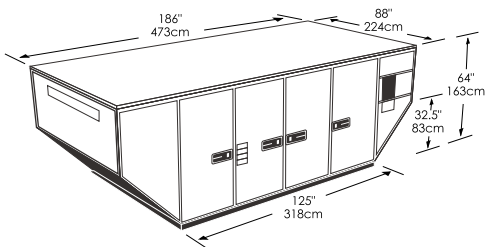


**Kerry Logistics**

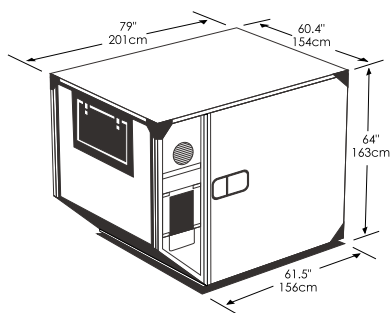
# Unit Load Devices



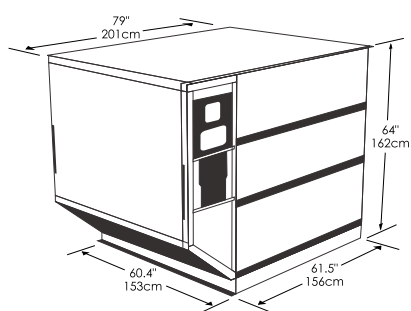
Type:	AMA CONTAINER
IATA Contour Code:	M1
Internal Volume:	621 cu. ft.
	17.58 mc
Tare Weight:	360 kg
Maximum Gross Weight:	6,804 kg
Loadable Aircraft Type:	747F



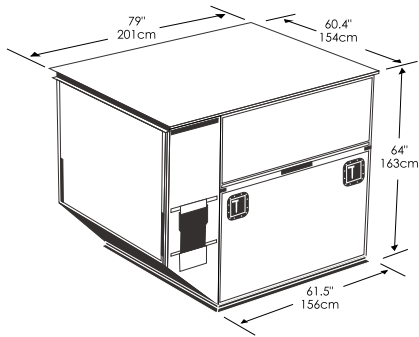
Type:	AAU CONTAINER
IATA Contour Code:	LD29
Internal Volume:	505 cu. ft.
	14.3 mc
Tare Weight:	355 kg
Maximum Gross Weight:	4,626 kg
Loadable Aircraft Type:	747, 747F



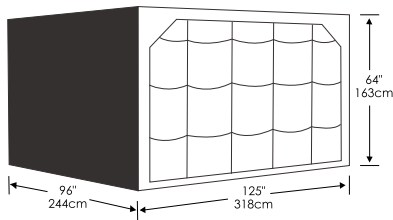
Type:	RKN COOLTAINER
IATA Contour Code:	LD3
Internal Volume:	125.41 cu. ft.
	3.55 mc
Tare Weight:	190 kg
Maximum Gross Weight:	1,588 kg
Loadable Aircraft Type:	747, 747F, 777, Airbus



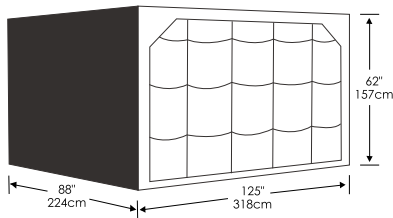
Type:	AKE
IATA Contour Code:	LD3
Internal Volume:	152 cu. ft.
	4.3 mc
Tare Weight:	73 kg
Maximum Gross Weight:	1,588 kg
Loadable Aircraft Type:	747, 747F, 777, Airbus



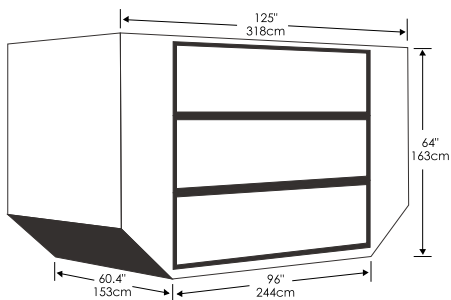
Type:	AKE CONTAINER
IATA Contour Code:	LD3
Internal Volume:	152 cu. ft.
	4.3 mc
Tare Weight:	100 kg
Maximum Gross Weight:	1,588 kg
Loadable Aircraft Type:	747, 747F, 777, Airbus



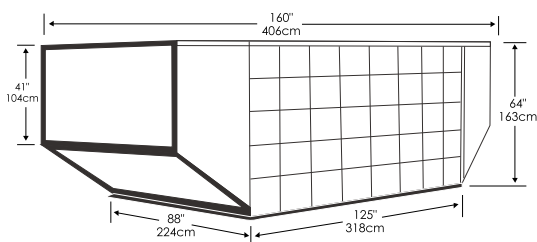
Type:	AMP
IATA Contour Code:	P
Internal Volume:	403 cu. ft.
	11.4 mc
Tare Weight:	266 kg
Maximum Gross Weight:	5,035 kg
Loadable Aircraft Type:	747, 767, A330



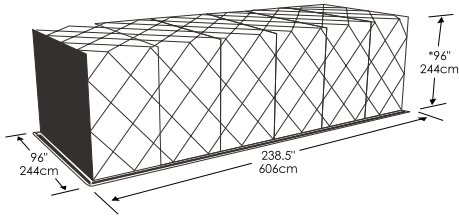
Type:	AA2, AAP
IATA Contour Code:	P
Internal Volume:	374 cu. ft.
	10.6 mc
Tare Weight:	-
Maximum Gross Weight:	4,626 kg
Loadable Aircraft Type:	747, 767, A330



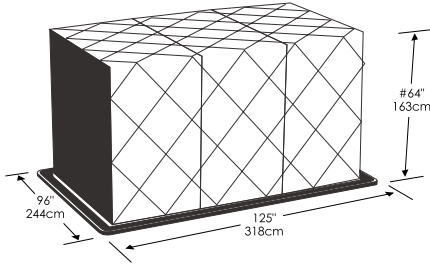
Type:	DLF, DQF
IATA Contour Code:	F
Internal Volume:	253 cu. ft.
	7.2 mc
Tare Weight:	128 kg
Maximum Gross Weight:	2,449 kg
Loadable Aircraft Type:	767



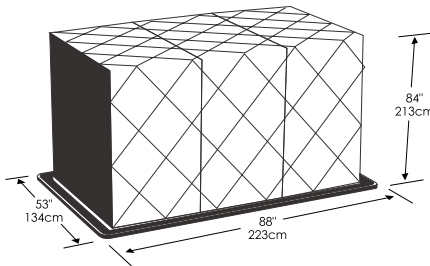
Type:	AAF
IATA Contour Code:	F
Internal Volume:	459 cu. ft.
	13.0 mc
Tare Weight:	268 kg
Maximum Gross Weight:	4,626 kg
Loadable Aircraft Type:	747, A330



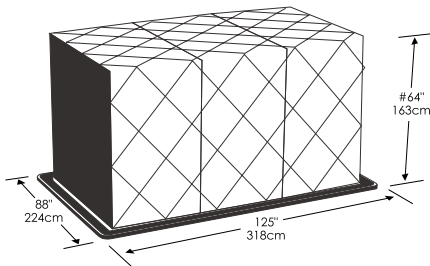
Type:	PAG PALLET
Size-Base:	96" x 238.5"
-Height	*96", **118"
Tare Weight:	480 kg
Maximum Gross Weight:	11,340 kg
Loadable Aircraft Type:	747F



Type:	PMC, PQP, P6P PALLET
Size-Base:	96" x 125"
-Height	#64", *96", **118"
Tare Weight:	105 kg
Maximum Gross Weight:	5,035 kg (LD), 6,804 kg (MD)
Loadable Aircraft Type:	747, 747F, 777, Airbus



Type:	PEB PALLET
Size-Base:	53" x 88"
-Height	84"
Tare Weight:	55 kg
Maximum Gross Weight:	1,800 kg (B-HIH-1,300 kg)
Loadable Aircraft Type:	747F



Type:	P1P, PAG PALLET
Size-Base:	88" x 125"
-Height	#64", *96", **118"
Tare Weight:	105 kg
Maximum Gross Weight:	4,626 kg (LD), 6,033 kg (MD)
Loadable Aircraft Type:	747, 747F, 777, Airbus

- # Passenger Flight
- \* Q6 Contour
- \*\* Q7 Contour

**Important Note:** The above specifications are a general guide for reference reading only. Actual dimensions and specifications must be referred to the manufacturer and/or supplier of the Unit Load Devices.

Head Office  
 16/F, Kerry Cargo Centre, 55 Wing Kei Road, Kwai Chung, NT, Hong Kong  
 Tel: +852 2410 3600 Fax: +852 2480 5958

[www.kerrylogistics.com](http://www.kerrylogistics.com)